



## PAEC3200

Stylish air curtain with EC motor and integrated controls, for cold rooms

Recommended installation height 3,2 m

PAEC3200 protects cold and freezer rooms efficiently at very low operating costs and can give energy savings of up to 85%. The stepless control allows precise adjustment, which means that PAEC is the perfect choice for cold and freezer room applications and also for use in air conditioned premises, for example, to separate the outside from the inside.

- Very low operating costs can be achieved thanks to the combination of EC motors and Frico's unique fan geometry.
- Stepless airflow control.
- Wall brackets included.
- The front is easy to remove, which facilitates installation and allows easy maintenance.
- Corrosion proof housing made of hot zinc-plate and powder enamelled steel panels. Plastic ends. Colour front: white, RAL 9016, NCS S 0500-N. Colour grille, rear section, ends and brackets: grey, RAL 7046.



Optimized airflow with Thermozone technology.

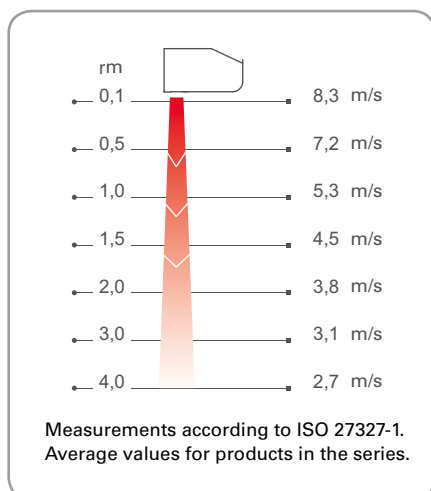
✿ Ambient, no heat - PAEC3200 A (IP44)

Type	Output [kW]	Airflow [m³/h]	Sound level*1 [dB(A)]	Voltage motor [V]	Amperage motor*2 [A]	Length [mm]	Weight [kg]
PAEC3210A	0	1950	40/58	230V~	0,19/1,15	1068	22
PAEC3215A	0	2700	39/58	230V~	0,20/1,20	1578	32
PAEC3220A	0	3800	43/61	230V~	0,36/2,30	2068	42

\*1) Conditions: Distance to the unit 5 metres. Directional factor: 2. Equivalent absorption area: 200 m². At 50% and 100% airflow.

\*2) Applicable at 50% and 100% airflow.

### Air velocity profile



### Control

#### Stepless airflow control

- Internal potentiometer (accessible through the outlet grille).

#### Stepless airflow control with external potentiometer

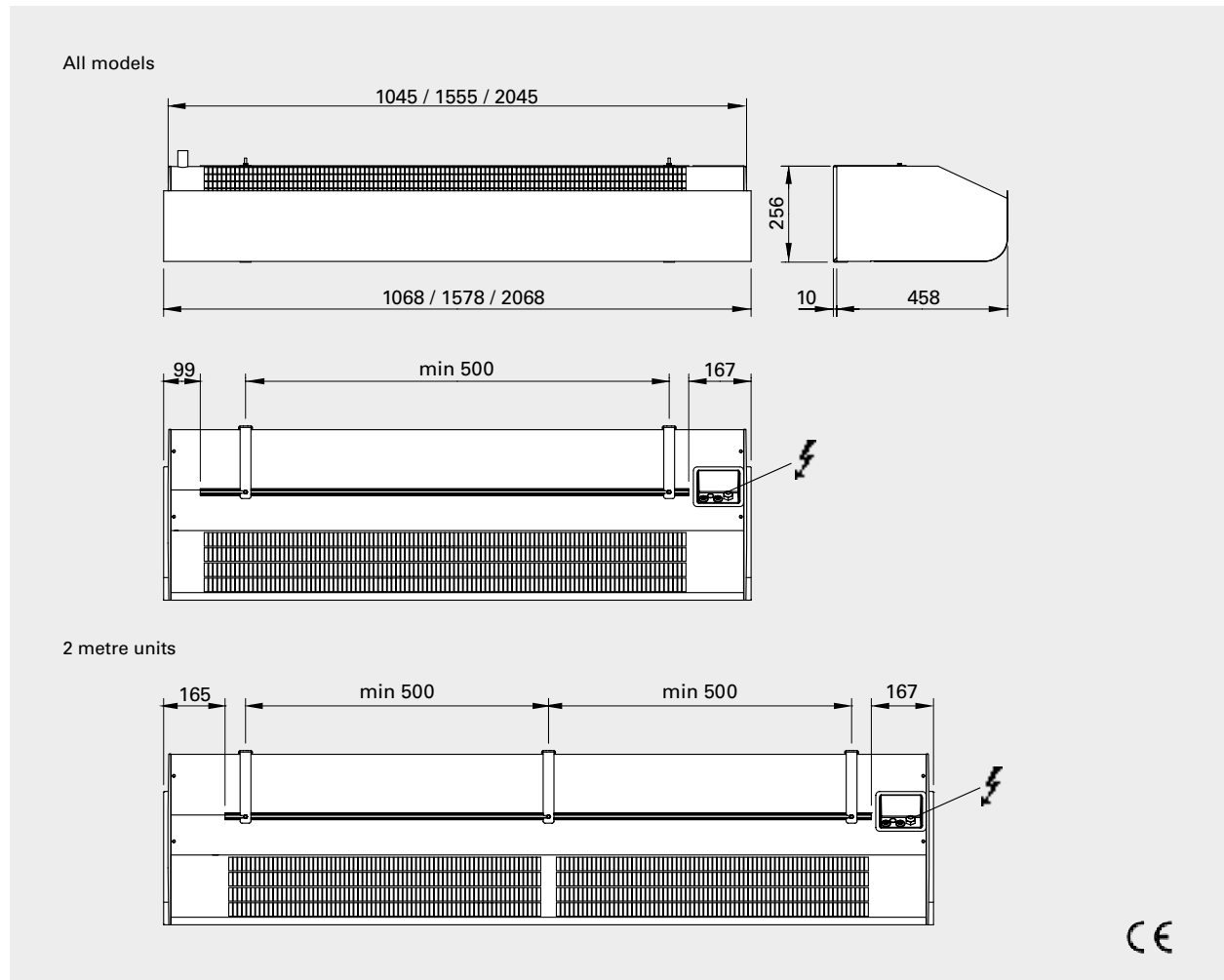
- PAMP10, external potentiometer

#### Stepless airflow control with door contact

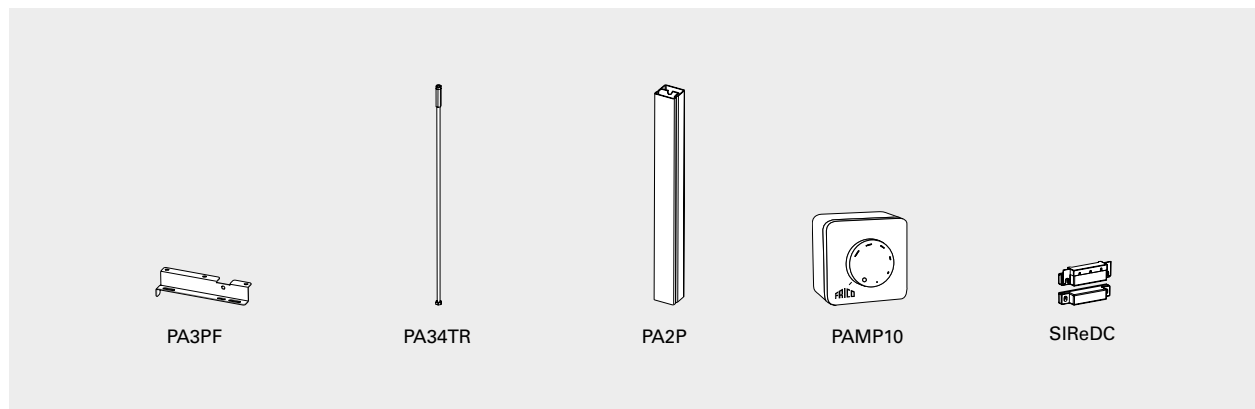
- SiReDC, door contact
- PAMP10, external potentiometer

#### BMS control 0-10V

## Dimensions



## Accessories



Type	Description	Quantity included	Length
PA3PF15	Ceiling mounting brackets for 1 and 1,5 metre units	4	
PA3PF20	Ceiling mounting brackets for 2 metre units	6	
PA34TR15	Threaded bars for 1 and 1,5 metre units	4	1 m
PA34TR20	Threaded bars for 2 metre units	6	1 m
PA2P15	Hanging brackets for 1 and 1,5 metre units	2	1 m
PA2P20	Hanging brackets for 2 metre units	3	1 m
PAMP10	External potentiometer		
SIREDC	Door contact		