

## Technical datasheet



Single outlet crossflow blower

# TAS18E-001

TMAE-01005L-D7 220-240V50/60HZ

O - Impeller diameter	<b>60</b>
L - Impeller length	<b>180</b>

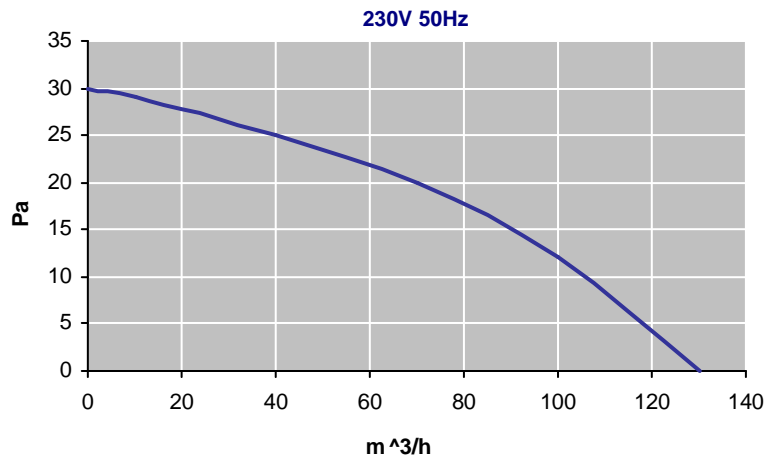
### Product features

Nominal voltage [V]	<b>220 - 240</b>
Frequency [Hz]	<b>50/60</b>
Type of service	<b>Continuous duty</b>
IP rate	<b>65</b>
Insulation class	<b>A (105)</b>
Noise pressure [dBA]	<b>39</b>
Motor position code	<b>D7</b>
Admitted ass.bly position	<b>Horizontal</b>
Min / max ambient T [°C]	<b>-30 / +60</b>
Max T of flow medium [°C]	<b>60</b>

Motor type	<b>Brushless</b>
Bearing	<b>Ball bearings</b>
A - Stack height	<b>-</b>
Thermal protection	<b>Electronic protection</b>
Impeller material	<b>Aluminum</b>
Housing material	<b>Pre-galvanized steel</b>
Electrical interface	<b>500mm cable terminals strip.</b>
Grounding terminal	<b>N-A (Class II)</b>
Certifications	<b>CE</b>
Additional features	

### Performance

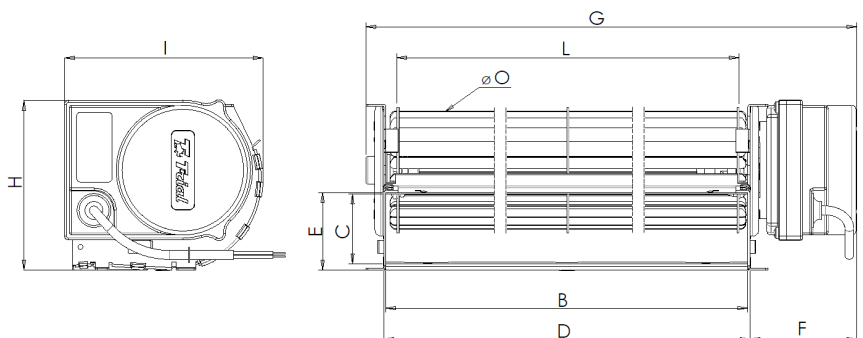
Rating condition	<b>230V 50Hz</b>	
Free air flow rate [m <sup>3</sup> /h]	<b>130</b>	
Static pressure [Pa]	<b>30</b>	
Rotation speed [RPM]	<b>1500</b>	
Nominal power [W]	<b>4,4</b>	
Nominal current [A]	<b>0,04</b>	



### Outline dimensions

[mm]

B - Air outlet length int	<b>182</b>
C - Air outlet height int	<b>35</b>
D - Air outlet length ext	<b>184</b>
E - Air outlet height ext	<b>38</b>
F - Motor dimension	<b>54</b>
G - Total length	<b>247</b>
H - Total height	<b>85</b>
I - Total depth	<b>100</b>



## Technical datasheet



Single outlet crossflow blower

# TAS24E-001

TMAE-01005L-D7 220-240V50/60HZ

O - Impeller diameter	<b>60</b>
L - Impeller length	<b>240</b>

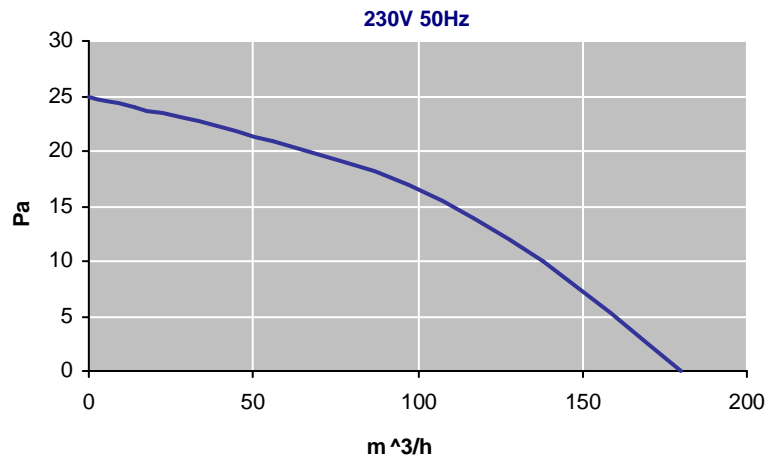
### Product features

Nominal voltage [V]	<b>220 - 240</b>
Frequency [Hz]	<b>50/60</b>
Type of service	<b>Continuous duty</b>
IP rate	<b>65</b>
Insulation class	<b>A (105)</b>
Noise pressure [dBA]	<b>39</b>
Motor position code	<b>D7</b>
Admitted ass.bly position	<b>Horizontal</b>
Min / max ambient T [°C]	<b>-30 / +60</b>
Max T of flow medium [°C]	<b>60</b>

Motor type	<b>Brushless</b>
Bearing	<b>Ball bearings</b>
A - Stack height	<b>-</b>
Thermal protection	<b>Electronic protection</b>
Impeller material	<b>Aluminum</b>
Housing material	<b>Pre-galvanized steel</b>
Electrical interface	<b>500mm cable terminals strip.</b>
Grounding terminal	<b>N-A (Class II)</b>
Certifications	<b>CE</b>
Additional features	

### Performance

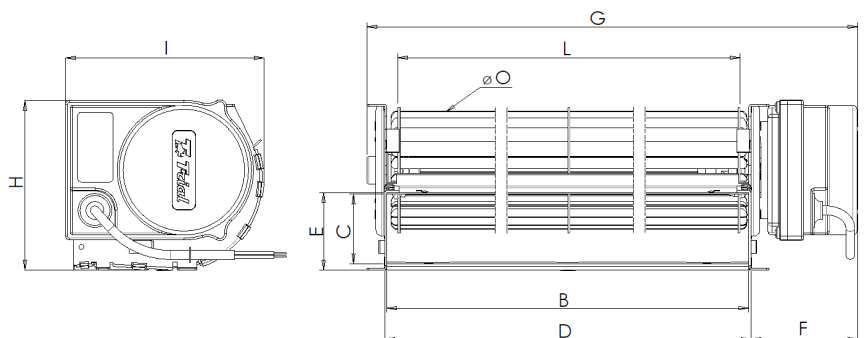
Rating condition	<b>230V 50Hz</b>	
Free air flow rate [m <sup>3</sup> /h]	<b>180</b>	
Static pressure [Pa]	<b>25</b>	
Rotation speed [RPM]	<b>1400</b>	
Nominal power [W]	<b>5,2</b>	
Nominal current [A]	<b>0,04</b>	



### Outline dimensions

[mm]

B - Air outlet length int	<b>242</b>
C - Air outlet height int	<b>35</b>
D - Air outlet length ext	<b>244</b>
E - Air outlet height ext	<b>38</b>
F - Motor dimension	<b>54</b>
G - Total length	<b>307</b>
H - Total height	<b>85</b>
I - Total depth	<b>100</b>



## Technical datasheet



Single outlet crossflow blower

# TAS30E-003

TMAE-01005H-D7 220-240V50/60HZ

O - Impeller diameter	<b>60</b>
L - Impeller length	<b>300</b>

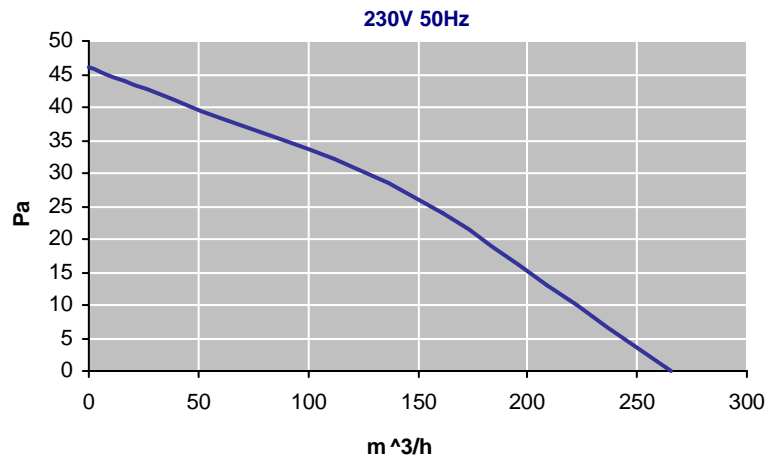
### Product features

Nominal voltage [V]	<b>220 - 240</b>
Frequency [Hz]	<b>50/60</b>
Type of service	<b>Continuous duty</b>
IP rate	<b>65</b>
Insulation class	<b>A (105)</b>
Noise pressure [dBA]	<b>47</b>
Motor position code	<b>D7</b>
Admitted ass.bly position	<b>Horizontal</b>
Min / max ambient T [°C]	<b>-30 / +60</b>
Max T of flow medium [°C]	<b>60</b>

Motor type	<b>Brushless</b>
Bearing	<b>Ball bearings</b>
A - Stack height	<b>-</b>
Thermal protection	<b>Electronic protection</b>
Impeller material	<b>Aluminum</b>
Housing material	<b>Pre-galvanized steel</b>
Electrical interface	<b>500mm cable terminals strip.</b>
Grounding terminal	<b>N-A (Class II)</b>
Certifications	<b>CE</b>
Additional features	

### Performance

Rating condition	<b>230V 50Hz</b>	
Free air flow rate [m <sup>3</sup> /h]	<b>265</b>	
Static pressure [Pa]	<b>46</b>	
Rotation speed [RPM]	<b>1600</b>	
Nominal power [W]	<b>9,5</b>	
Nominal current [A]	<b>0,08</b>	



### Outline dimensions

[mm]

B - Air outlet length int	<b>302</b>
C - Air outlet height int	<b>35</b>
D - Air outlet length ext	<b>304</b>
E - Air outlet height ext	<b>38</b>
F - Motor dimension	<b>54</b>
G - Total length	<b>367</b>
H - Total height	<b>85</b>
I - Total depth	<b>100</b>

