

# ActivTek™



# PureKooler

Owner's Manual



INNOVATIVE AIR TREATMENT SYSTEM

Wall Mount Unit with ActivePure® Certified Space Technology™

CAUTION: READ MANUAL CAREFULLY FOR PROPER PROCEDURES AND OPERATION.

# IMPORTANT SAFETY INSTRUCTIONS

When using an electrical appliance, basic precautions should always be taken.

**READ ALL INSTRUCTIONS BEFORE USING THIS PRODUCT**

## **WARNING!**

**To reduce the risk of fire, electrical shock, or injury to persons, observe the following:**

- **Use only in the manner intended by the manufacturer.** If you have any questions, contact your ActivTek Distributor.
- **Do not attempt to repair or adjust any of the electrical or mechanical functions of this product.** Contact your ActivTek Distributor for service information.
- **Installation work and electrical wiring must be performed by qualified person(s) in accordance with all applicable codes and standards, including fire-rated construction.**
- **When drilling into a wall, do not damage any electrical wiring or other hidden utilities.**
- **Do not use this fan with any Solid-State Speed Control.**
- **Do not use outdoors or on wet surfaces.**
- **Do not allow to be used as a toy.** Do not allow children around the unit.
- **Do not handle appliance with wet hands.**
- **Do not allow foreign objects to enter the ventilation openings.**
- **Keep hair, clothing, fingers, and all parts of body away from openings.**
- **To reduce the risk of electric shock, do not expose to water or rain.**

## READ AND SAVE THESE INSTRUCTIONS



### **⚠ WARNING**

**UV Light in operation.**

**Before servicing or cleaning unit, switch power off at service panel and lock the service disconnecting means to prevent power from being switched on accidentally. When the service disconnecting means cannot be locked, securely fasten a prominent warning device, such as a tag, to the service panel.**

Please record the name and phone number of your ActivTek Distributor:

Name \_\_\_\_\_

Phone \_\_\_\_\_

Please record the serial number of your product:

Serial # \_\_\_\_\_

## TABLE OF CONTENTS

Introduction .....	3
Specifications .....	4
Installation .....	5
Service & Maintenance .....	6
Warranty .....	7

## INTRODUCTION

Congratulations on your purchase of a PureKooler by ActivTek, an innovative air and surface purification system featuring our exclusive and proprietary ActivePure® Technology, a chemical-free purification technology that mimics processes naturally occurring in nature, to safely eliminate odors and harmful bacteria, removing up to 99.9% of surface and air contaminants within its treated indoor environment.

ActivePure Certified Space Technology™ is the most powerful air and surface purification technology ever discovered and was developed in cooperation with NASA to protect life on board the International Space Station. University tested and proven to significantly reduce contaminants in the air and on surfaces, ActivePure Technology destroys microbes on contact, providing 24/7 protection from indoor air pollution and exposure to a widening range of harmful contaminants.

The PureKooler is designed to be discreetly mounted on a rear, interior wall of a commercial walk-in cooler or refrigeration unit. **Installation work and electrical wiring must be performed by qualified person(s) in accordance with all applicable codes and standards, including fire-rated construction.**

Please read and follow all safety warnings and service procedures outlined in this manual. Use only genuine ActivTek replacement parts available from your ActivTek Distributor. To learn more about this and other ActivTek products and technologies, please visit our website at <http://www.activTek.net>.

*If you have any questions concerning this or any ActivTek product, please contact your ActivTek Distributor.*

## **WARNING**

### **WARNING – TO REDUCE THE RISK OF FIRE, ELECTRIC SHOCK, OR INJURY TO PERSONS, OBSERVE THE FOLLOWING:**

- Installation work and electrical wiring must be performed by qualified person(s) in accordance with all applicable codes and standards, including fire-rated construction.
- When drilling into a wall, do not damage any electrical wiring or other hidden utilities.

## SPECIFICATIONS

Electrical: 110-120V 60Hz .50A

Dimensions: 14.25 x 9.25 x 5.25 inches

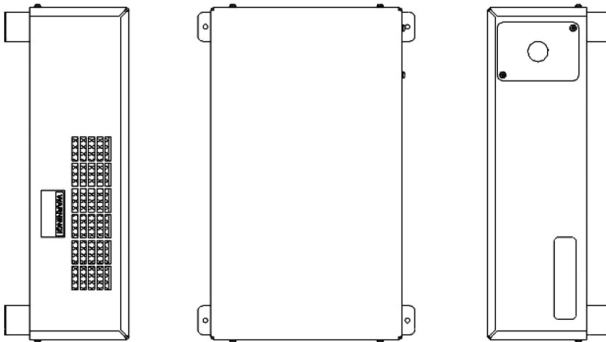
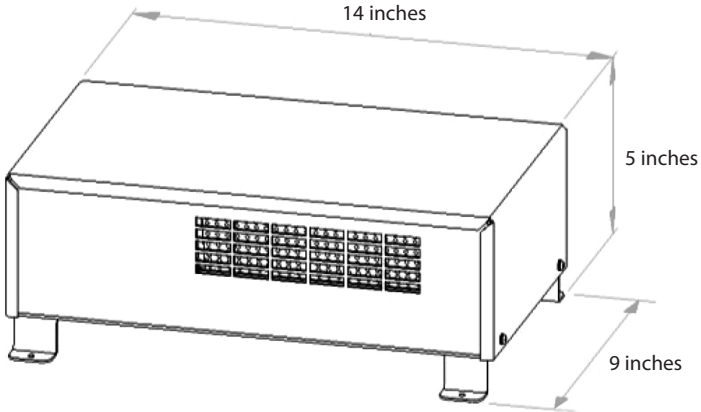
Motor: Impedance-Protected

(36.2cm x 23.5cm x 13.3cm)

Mechanical: 30 CFM

Weight: 8.4 lb (3.8 kg)

Bulb: Type UV-C, 10 W



## **⚠️ WARNING**

**WARNING – TO REDUCE THE RISK OF FIRE, ELECTRIC SHOCK, OR INJURY TO PERSONS, OBSERVE THE FOLLOWING:**

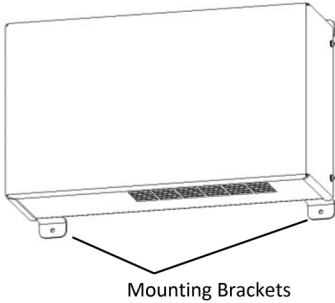
- Installation work and electrical wiring must be performed by qualified person(s) in accordance with all applicable codes and standards, including fire-rated construction.
- When drilling into a wall, do not damage any electrical wiring or other hidden utilities.

# INSTALLATION

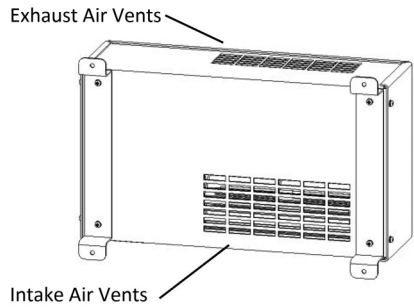
## Installation is only to be performed by a qualified electrician.

The PureKooler is designed to be mounted onto a wall. The PureKooler is not a compressor, condensing unit, or evaporation unit.

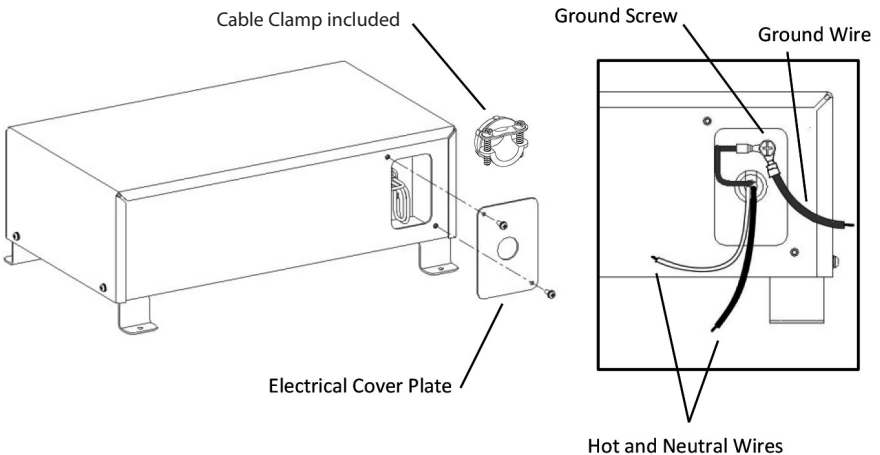
FRONT VIEW



BACK VIEW



1. Connect power cable to appropriate 120 VAC electrical power source according to local or national codes.
2. Use a connector cable clamp, appropriate for local or national codes, to secure wiring connection to cover plate.



## SERVICE & MAINTENANCE

**Service should only be performed by a qualified electrician.**

**⚠ Make sure power to the unit is OFF.**

1. Remove 4 screws from the cover and slide the cover away from unit. *See Fig. 1*
2. Unplug 4-pin connector from the ActivePure Cell (red & blue leads). *See Fig. 2 and Fig. 3*
3. Remove 4 nuts from the Cell brackets and remove the ActivePure Cell. *See Fig. 2 and Fig. 3*
4. It is recommended maintenance to vacuum off the vent openings if any dust build-up has accumulated.

**NOTE:** A face mask should be worn to prevent inhalation of any particles released into the air during any cleaning process. Eye protection is also recommended.

5. Slide the new Cell into place.

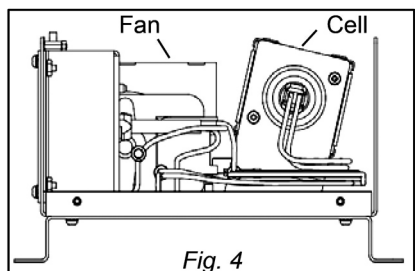
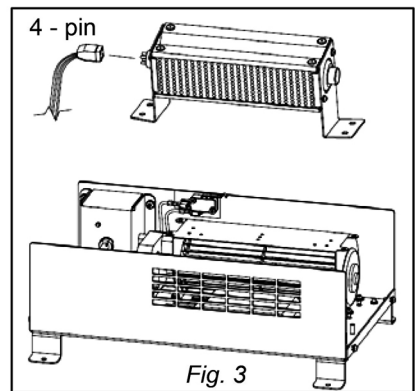
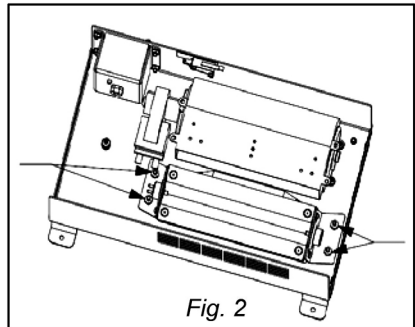
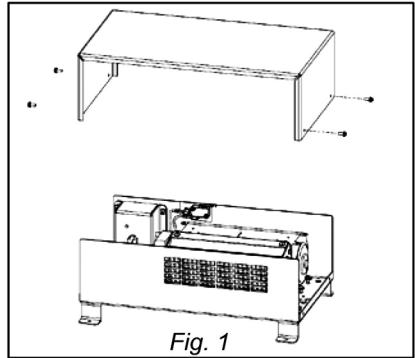
**Replacement part:**

ActivePure Cell

**Service Part # 9950186**

(AP Cell, 9 Inch V-Groove Ozone Free)

6. Note orientation of Cell in relation to the Fan. *See Fig. 4*
7. Reinstall 4 nuts to secure Cell into place.
8. Reconnect 4-pin connector to Cell.
9. Slide the cover back onto the unit.
10. Reinstall 4 screws to secure cover.
11. Reconnect power supply.
12. Verify the new Cell is working by looking for a glow from the vent exhaust opening.



# WARRANTY INFORMATION

---

## LIMITED 3 YEAR WARRANTY

Customer should not repack and ship the PureKooler unit due to possibility of irreparable damage. For warranty service, please contact your ActivTek Distributor for the address of the nearest service center or call Customer Service at 866-736-0503.

## WHAT IS COVERED BY THIS WARRANTY

We warrant the PureKooler (excluding filters) to the Customer, subject to the conditions below, against defects in workmanship or material, provided that the products are returned to a service location within the following time periods:

- PureKooler within three (3) years of date of purchase.
- ActivePure Cell and Lamp within one (1) year from the date of purchase.

## INSTALLATION AND MAINTENANCE REQUIREMENTS

This warranty is expressly conditioned upon proper installation, operation, cleaning and maintenance, all in accordance with the Owner's Manual. Failure to meet any of these requirements will void this warranty. Servicing of your PureKooler by parties other than our authorized representatives and/or using parts other than genuine parts will also void this warranty.

## HOW TO OBTAIN WARRANTY SERVICE

Customer must contact their ActivTek Distributor and provide proof of purchase within the above time periods. We will repair or replace and return the product, without charge and within a reasonable period of time, subject to the conditions herein, if its examination shall disclose any part to be defective in workmanship or material. If we, in our discretion, are unable to repair the product after a reasonable number of attempts, we will provide either a refund of the purchase price or a replacement unit, at the company's option.

## WHAT IS NOT COVERED BY THIS WARRANTY

Ordinary wear and tear shall not be considered a defect in workmanship or material. These warranties do not apply to filters nor for loss or damage caused by accident, fire, abuse, misuse, improper installation, leaking, modification, misapplication, or by any repairs other than those provided by our authorized Service Center. This warranty is non-transferable.

## MISSING SERIAL NUMBERS AND UNAUTHORIZED CHANNELS

If a valid serial number is missing from the product, the warranty will be voided. ActivTek products are authorized for sale through ActivTek Distributors only. Warranties are voided if a product is purchased through unauthorized channels; this includes websites that are not authorized to use ActivTek's trademarked names, images and logos as well as Internet auction sites (e.g. eBay and craigslist). To confirm warranty coverage prior to purchasing a product,

contact ActivTek at 866-736-0503 with the serial number located on the back of the unit.

## EXCLUSION OF OTHER WARRANTIES AND CONDITIONS

EXCEPT AS PROVIDED HEREIN, WE MAKE NO REPRESENTATION OR WARRANTY OF ANY KIND. ALL OTHER WARRANTIES OF ANY KIND, EXPRESS OR IMPLIED, ARE HEREBY EXPRESSLY DISCLAIMED, INCLUDING ANY IMPLIED WARRANTY OF MERCHANTABILITY OR FITNESS FOR A PARTICULAR PURPOSE.

## LIMITATION OF LIABILITY FOR SPECIAL, INCIDENTAL, OR CONSEQUENTIAL DAMAGES

WE SHALL NOT IN ANY CASE BE LIABLE FOR SPECIAL, INCIDENTAL OR CONSEQUENTIAL DAMAGES ARISING FROM BREACH OF EXPRESSED OR IMPLIED WARRANTIES, CONDITIONS, GUARANTEES OR REPRESENTATIONS, BREACH OF CONTRACT, NEGLIGENCE OR ANY OTHER LEGAL THEORY. Such excluded damages include, but are not limited to, loss of profits or revenue, and loss of the use of the products, and any loss caused by leaks or other water damage.

## FOR U.S. APPLICATION ONLY

This warranty gives you specific legal rights, and you may also have other rights which vary from state to state. Some states do not allow limitations on warranties, or on remedies for breach. In such states, the above limitations may not apply to you.

## FOR CANADIAN APPLICATION ONLY

Exclusion of Subsequent Owners: Except as otherwise required by applicable legislation, this warranty is not transferable. This warranty gives you specific legal rights and you may also have other rights which vary from province to province. Some provinces and territories do not allow limitations on warranties, or on remedies for breach. In such provinces or territories, the above limitations may not apply to you. If any provision of this warranty or part thereof is held by a court of competent jurisdiction to be invalid, illegal, or unenforceable, the validity, legality and enforceability of the remaining provisions or parts thereof will not in any way be affected or impaired within the jurisdiction of that court. This entire warranty shall continue to be valid, legal and enforceable in any jurisdiction where a similar determination has not been made.

This warranty is provided by  
DBG Group Investments, LLC  
5420 LBJ Freeway, Suite 1010, Dallas, TX 75240

## SERVICE

Every effort is made to ensure customers receive an up-to-date instructions manual on the use of our products; however, from time to time, modifications to our products may without notice make the information contained herein subject to alteration. For the latest information, please visit our website.

This equipment has been tested and found to comply with the limits for Industrial, Scientific, and Medical Equipment (ISM), pursuant to Part 18 of the FCC Rules. These limits are designed to provide reasonable protection against harmful interference in a residential installation. This equipment generates, uses, and can radiate radio frequency energy, and if not installed and used in accordance with the instructions, may cause harmful interference to radio communications. However, there is no guarantee that interference will not occur in a particular installation. If this equipment does cause harmful interference to radio or television, which can be determined by turning the equipment off and on, the user is encouraged to try to correct the interference by one or more of the following measures:

Reorient or relocate the receiving antenna.

Increase the separation between the equipment and receiver.

Connect the equipment into an outlet on a circuit different from that to which the receiver is connected.

Consult your ActivTek Distributor or an experienced radio/TV technician for help.

## FCC DECLARATION OF CONFORMITY

**Name:** DBG Group Investments, LLC

**Model:** PureKooler (A1027A)

**Manufacturer:** DBG Group Investments, LLC

This device complies with Part 18 of the FCC Rules.


### RESPONSIBLE PARTY

DBG Group Investments, LLC

5420 LBJ Freeway, Suite 1010

Dallas, TX 75240

Ph: 866.736.0503

**Signature:** 

**Printed Name:** Andrew Eide

**Title:** Vice President of Product  
Development and Manufacturing

**Date:** 1/28/2016